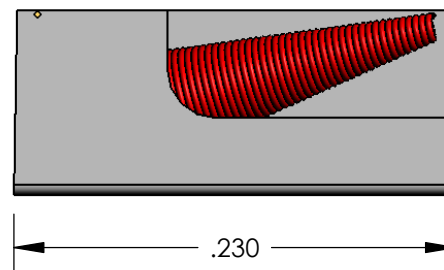
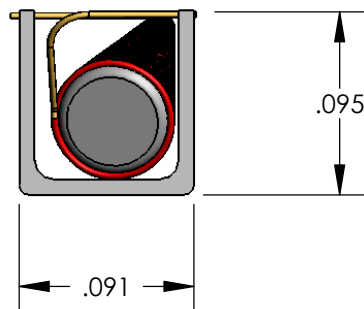
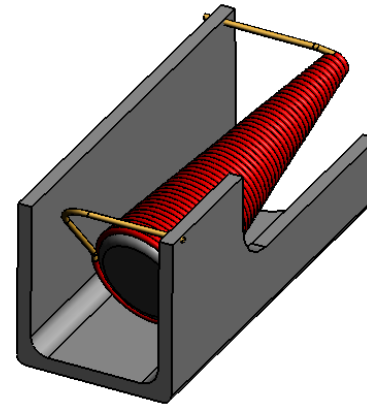
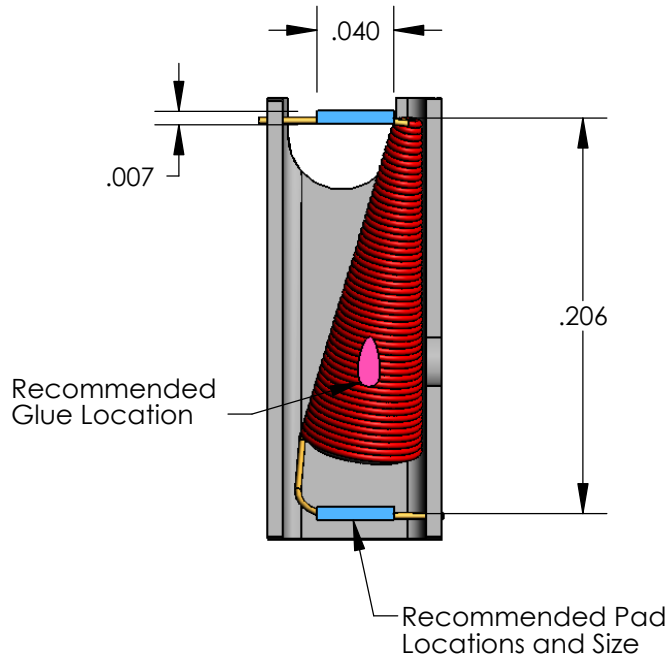




PICONICS

CC50T40K240G5-C



Electrical

Frequency:	10 MHz-25 GHz
Return Loss:	-26dB typ. In/Out
Insertion Loss:	-.35dB typ.
Q Typ. @ 10 MHz:	25-30
I _{dc} (max):	400 mA
L @ 10 MHz:	1.65 μH
Fill:	Powdered Iron (S class)
Leads:	5-10uin Gold Plated
DCR Typ:	0.625 ohms